

# INSTRUCTION MANUAL



## KEPCO POWER ASSEMBLY COMPONENTS

An ISO 9001 Company.

# DMS

### ACCESSORY DUAL POWER SUPPLY

Model DMS 2X9

Serial No.....

Please record the equipment nameplate serial number in the space provided.

#### DESCRIPTION

This miniature auxiliary dual voltage d-c power supply was designed to provide the operating potentials for liquid crystal panel meters used in Kepco's Power Assembly Design Kit. The power supply may be operated from either 115 or 230V a-c lines (selectable) and may be mounted in any position by means of four threaded spacers. The Schematic diagram is shown in FIG. 2, while the Component Location is illustrated in FIG. 3.

#### SPECIFICATIONS:

AC INPUT VOLTAGE: 90 to 130V a-c or 180 to 260V a-c, switch selectable.

SOURCE FREQUENCY: 50 — 500 Hz.

DC OUTPUT: 9.6 to 10.6V d-c @ 0.3 to 0.5 mA at 120V a-c input.

AMBIENT OPERATING TEMPERATURE: - 20 °C to + 71 °C.

STORAGE TEMPERATURE: - 40 °C to + 85 °C.

DIMENSIONS: See Mechanical Outline, FIG. 1.

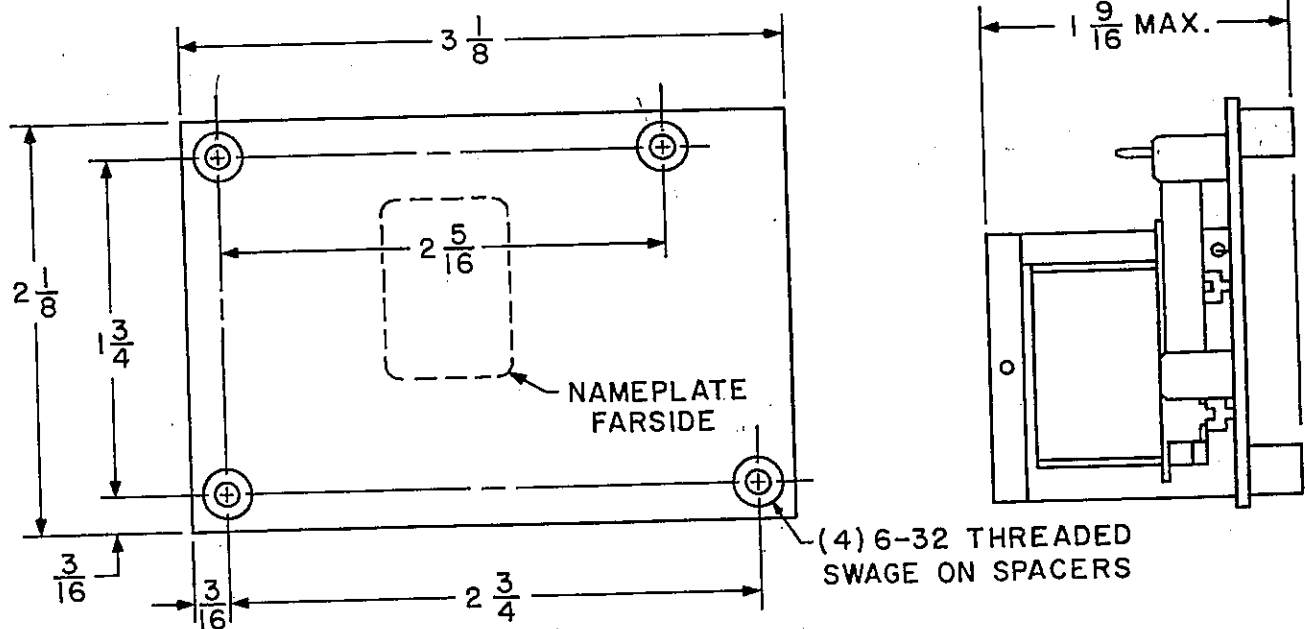


FIG. 1 MECHANICAL OUTLINE DRAWING, MODEL DMS 2x9

NOTE: Tolerances  $\pm 1/32$

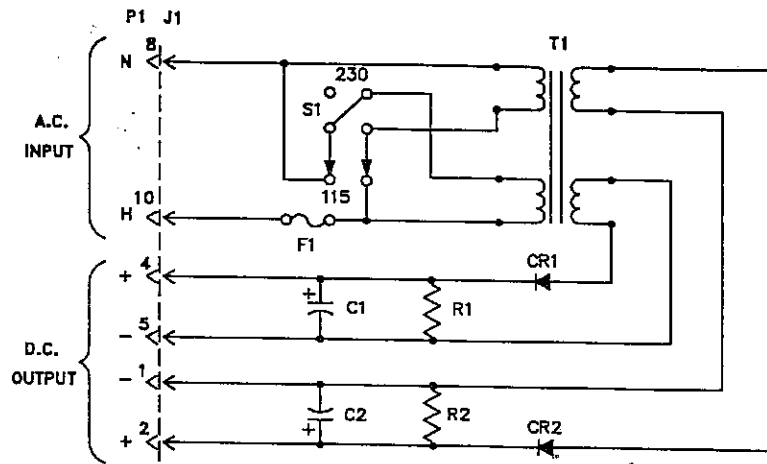


FIGURE 2 SCHEMATIC DIAGRAM, MODEL DMS 2X9

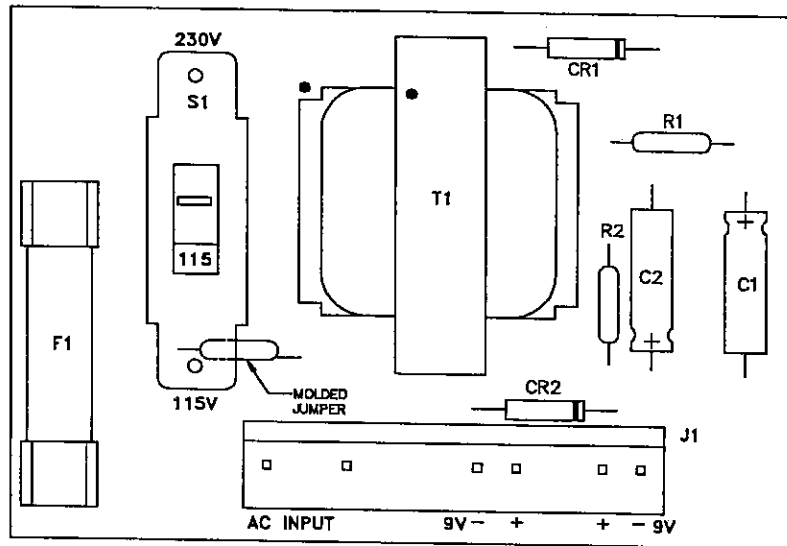


FIGURE 3 COMPONENT LOCATION, MODEL DMS 2X9

MODEL DMS 2X9

REPLACEMENT PARTS LIST

Code 06-0493

REFERENCE DESIGNATION	QTY	DESCRIPTION	MFRS. NAME & PARTS NO. SEE BOTTOM NOTE	KEPCO PART NO.	REC. SPARE PART QTY.
C1,2	2	Cap., Elect., Ax. Leads 220 $\mu$ F, $\pm$ 20%, 16V	United Chemi-Con Type KMC	117-0677	1
CR1,2	2	Rect., Diode, Ax. Leads 400V ( $V_{RM}$ ), 1.5A @ 50°C T <sub>A</sub>	Semicon SI-4	124-0028	1
R1,2	2	Res., Fxd., Molded 100K ohm, 10%, 1/4W	Allen Bradley CB1041	115-2641	1
S1	1	Slide Switch 115V, 3A/250V, 1.5A	Switchcraft 46206LFE	127-0294	0
J1	1	Connector, Male	Kepeco, Inc. 142-0281	142-0281	0
P1	1	Connector, Female	Kepeco, Inc. 143-0394	143-0344	1
F1	1	Fuse Dual Element, 1/4 x 1 1/4" 0.031A, 250V	Bussman Type MDL	141-0019	5
T1	1	Transformer, Power	Signal DPC12-100	175-0441	1
NA	1	Dust Cover for P1	Kepeco, Inc. 189-0500	189-0500	1

NOTE: REPLACEMENT PARTS MAY BE ORDERED FROM KEPCO, INC. ORDERS SHOULD INCLUDE KEPCO PART NUMBER AND DESCRIPTION.

PLEASE NOTE: THE MANUFACTURER'S NAME AND PART NUMBER LISTED FOR EACH ITEM ON REPLACEMENT PARTS LISTS REPRESENTS AT LEAST ONE SOURCE FOR THAT ITEM AND IS LISTED SOLELY FOR THE CONVENIENCE OF KEPCO EQUIPMENT OWNERS IN OBTAINING REPLACEMENT PARTS LOCALLY. WE RESERVE THE RIGHT TO USE EQUIVALENT ITEMS FROM ALTERNATE SOURCES. KEPCO, INC.