

# INSTRUCTION MANUAL

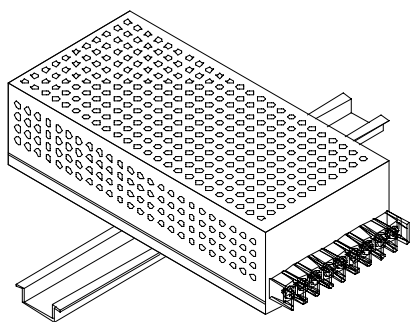


**KEPCO** An ISO 9001 Company.

**KIT  
DIN FAW  
-15L, -15S, -25L,  
-25S, -50L**

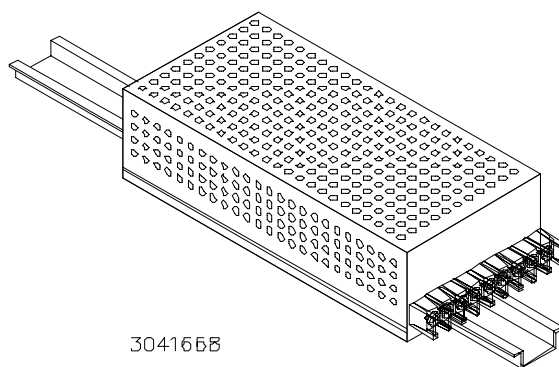
## DIN-RAIL MOUNTING KIT FOR SERIES FAW 15W, 25W, 50W

**DESCRIPTION.** Kepco KITS, Models DIN FAW-15L, -15S, 25L, -25S, -25L, and -50L each contain a cover, a mounting plate with two clips and associated hardware used to install FAW Series power supplies on a DIN rail. The -15 suffix is for the 15 Watt Series, -25 for the 25 Watt Series and -50 for the 50 Watt Series. The “S” suffix is for mounting the power supply along the short dimension (width) as shown in Figure 1, the “L” suffix is for mounting along the long dimension (length) as shown in Figure 2.



304166B

**FIGURE 1. S SUFFIX ORIENTATION**



304166B

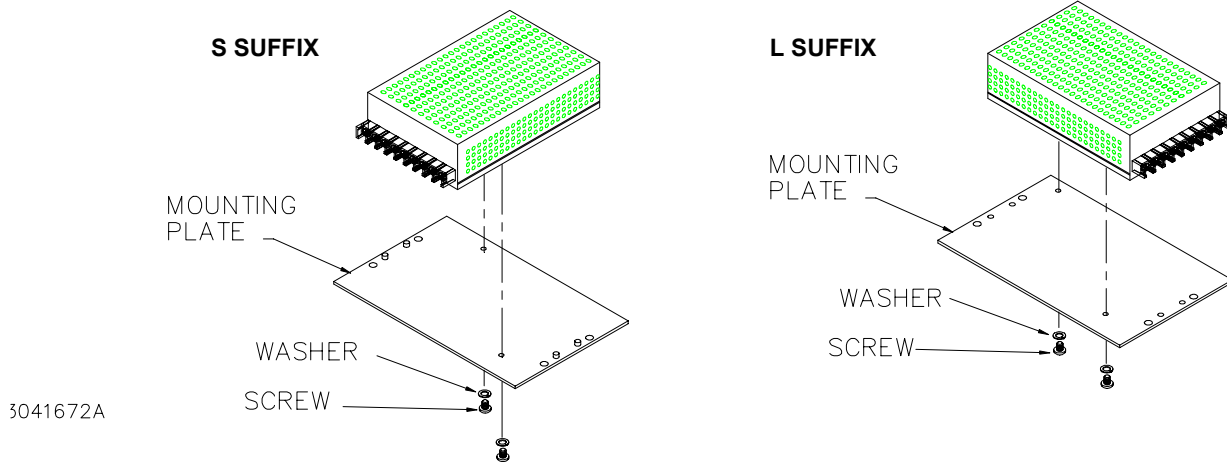
**FIGURE 2. L SUFFIX ORIENTATION**

**TABLE 1. COMPONENTS SUPPLIED**

KIT MODEL NO.	COVER PART NO.	MOUNTING PLATE PART NO.	CLIP (QTY 2) PART NO.	SCREW (QTY 2) PART NO.	WASHER (QTY 2) PART NO.
DIN FAW-15L	CA 24	189-0700	108-0365	101-0092 (4-40 X 0.312 BHPH)	103-0014 (NO. 4, INT. TOOTH)
DIN FAW-25L	CA 25	189-0690	108-0365	101-0092 (4-40 X 0.312 BHPH)	103-0014 (NO. 4, INT. TOOTH)
DIN FAW-50L	CA 26	189-0695	108-0365	101-0092 (4-40 X 0.312 BHPH)	103-0014 (NO. 4, INT. TOOTH)
DIN FAW-15S	CA 24	189-0701	108-0365	101-0092 (4-40 X 0.312 BHPH)	103-0014 (NO. 4, INT. TOOTH)
DIN FAW-25S	CA 25	189-0702	108-0365	101-0092 (4-40 X 0.312 BHPH)	103-0014 (NO. 4, INT. TOOTH)

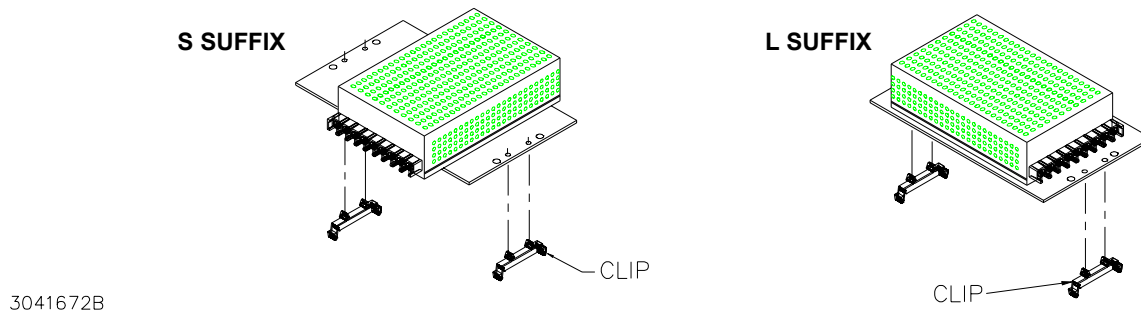
## INSTALLATION

1. **INSTALL COVER.** Attach the cover to the power supply per instruction manual supplied with the cover.
2. **INSTALL MOUNTING PLATE.** Attach the mounting plate to the power supply using the hardware supplied (see Figure 3).



**FIGURE 3. INSTALLING MOUNTING PLATE ON POWER SUPPLY**

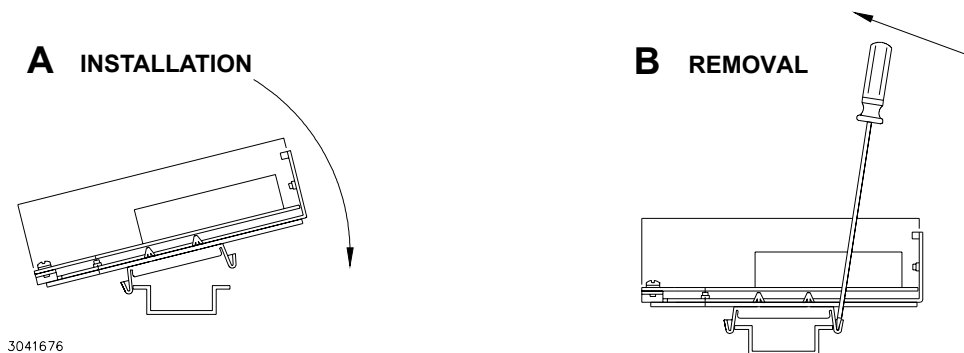
3. **INSTALL CLIPS.** Snap the two clips into the mounting plate holes (see Figure 4).



**FIGURE 4. INSTALLING CLIPS ON MOUNTING PLATE**

4. **INSTALL POWER SUPPLY ON DIN RAIL.** To mount the power supply on the rail insert one end of both clips under one edge of the rail, then snap the other end of the two clips into place (see Figure 5A).

**REMOVING POWER SUPPLY FROM DIN RAIL.** While grasping the power supply with one hand, insert a screwdriver into the access holes provided and apply leverage towards the left as shown in Figure 5B to disengage each clip from the rail. Where mounting clips are close together, it may be necessary to apply leverage with two screwdrivers simultaneously.



**FIGURE 5. INSTALLATION AND REMOVAL OF POWER SUPPLY FROM DIN RAIL**