

INSTRUCTION MANUAL

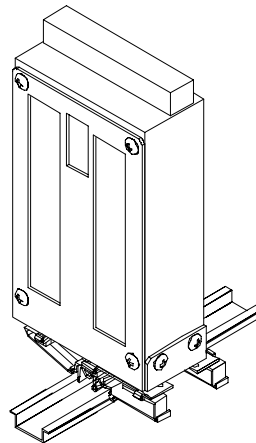


KEPCO An ISO 9001 Company.

**KIT
DIN RAX
-100P**

DIN-RAIL MOUNTING KIT FOR SERIES RAX 100W

DESCRIPTION. Kepco KIT, Models DIN RAX-100P contains a mounting bracket with left and right preassembled mounting clips and associated hardware used to install RAX Series power supplies on a DIN rail. The -100 suffix is for the 100 Watt Series; the "P" suffix is for mounting the power supply perpendicular to the DIN rail as shown in Figure 1. Outline Dimensions are shown in Figure 5



3042074

FIGURE 1. P SUFFIX ORIENTATION

TABLE 1. COMPONENTS SUPPLIED

KIT MODEL NO.	MOUNTING BRACKET PART NO.	SCREW (QTY 6) (Power Supply To Mounting Bracket) PART NO.	WASHER (QTY 6) (Power Supply To Mounting Bracket) PART NO.	CLIP (QTY 2) PART NO.	CLIP PLATE (QTY 2) PART NO.	SCREW Thread-form (QTY 4) (Clip To Mounting Bracket) PART NO.	WASHER (QTY 4) (Clip To Mounting Bracket) PART NO.
DIN RAX-100P	128-2028	101-0383 (8-32 X 3/16 BHPH)	103-0017 (NO. 8, INT. TOOTH)	108-0362	128-1938	101-0443 (4-40 X 1/4 BHPH)	103-0014 (NO. 4, INT. TOOTH)

INSTALLATION

- 1. INSTALL MOUNTING BRACKET.** Attach the mounting bracket to the power supply using the hardware supplied (see Figure 2).

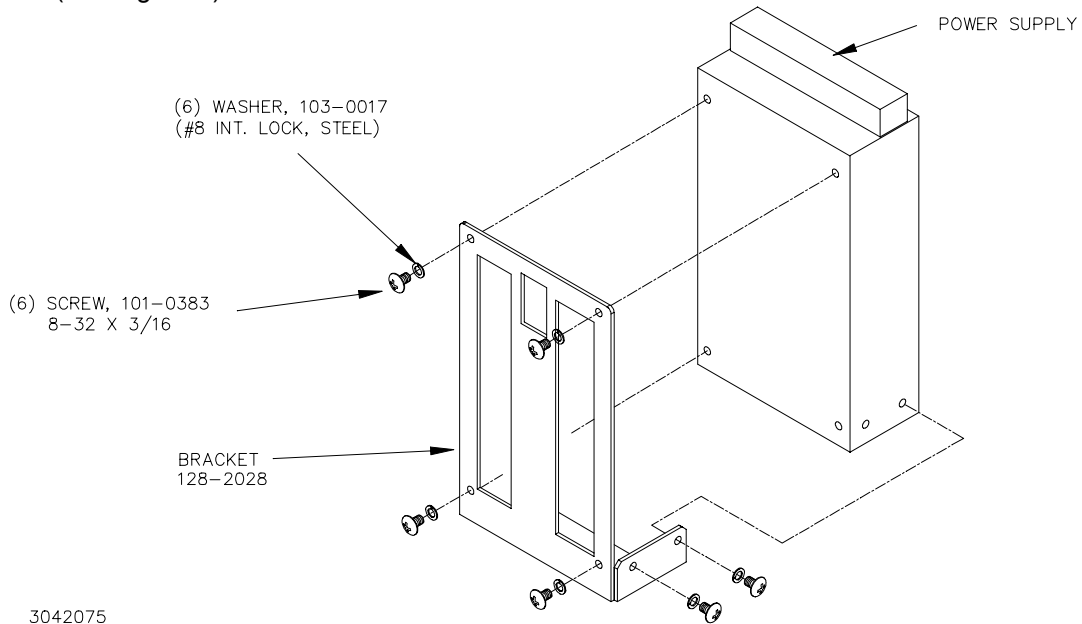


FIGURE 2. INSTALLING MOUNTING BRACKET ON POWER SUPPLY

- 2. INSTALL CLIPS.** Attach preassembled mounting clips into the mounting bracket holes using hardware supplied (see Figure 3).

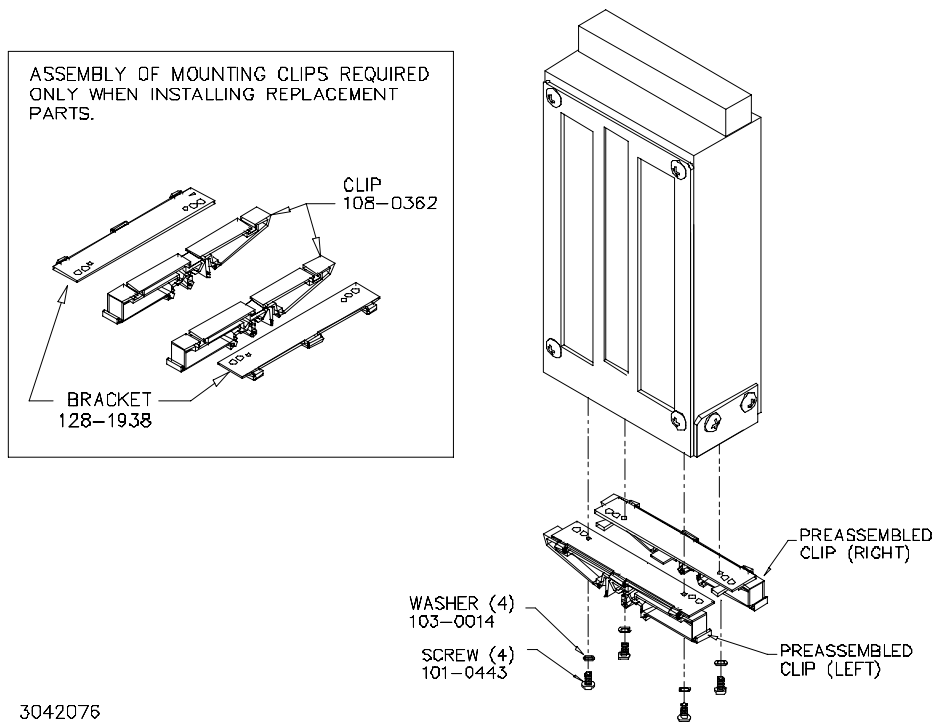
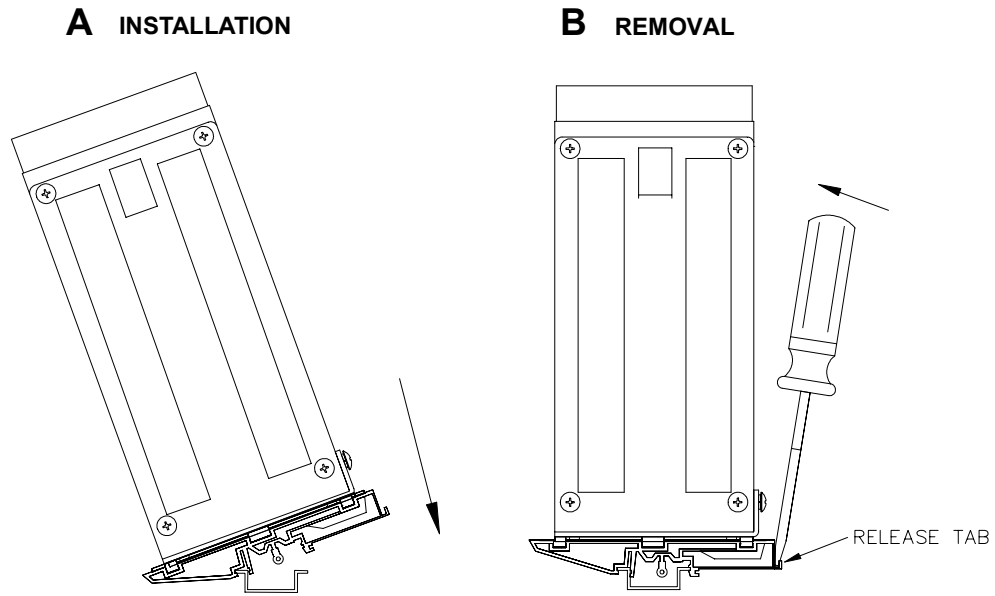


FIGURE 3. INSTALLING CLIPS ON MOUNTING BRACKET

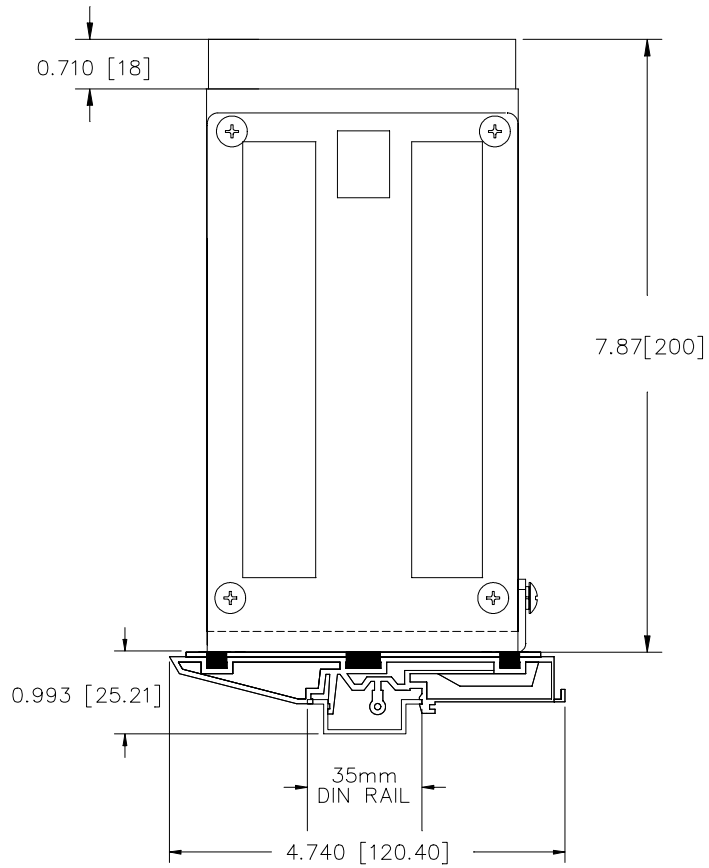
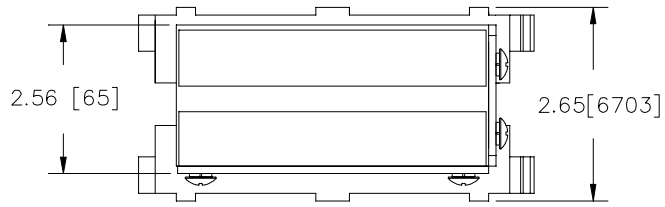
3. **INSTALL POWER SUPPLY ON DIN RAIL.** To mount the power supply on the rail insert one end of both mounting clips under one edge of the rail, then snap the other end of the two clips into place (see Figure 4A).



3042077

FIGURE 4. INSTALLATION AND REMOVAL OF POWER SUPPLY FROM DIN RAIL

REMOVING POWER SUPPLY FROM DIN RAIL. While grasping the power supply with one hand, Insert a screwdriver into the access holes provided and apply leverage towards the left as shown in Figure 4B to disengage each clip from the rail. Where mounting clips are close together, it may be necessary to apply leverage with two screwdrivers simultaneously.



NOTE:
 UNLESS OTHERWISE SPECIFIED: DIMENSIONS ARE IN INCHES,
 DIMENSIONS IN BRACKETS ARE IN MILLIMETERS.

3042078

FIGURE 5. RAX 100W POWER SUPPLY WITH KIT INSTALLED, OUTLINE DIMENSIONS