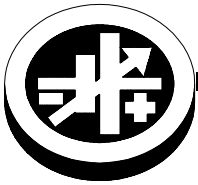


INSTRUCTION SHEET



KEPCO An ISO 9001 Company.

RAB 40-RCW1500

INSTALLATION INSTRUCTIONS RAB 40-RCW1500 MOUNTING BRACKET

DESCRIPTION

The Kepco Mounting Bracket Model RAB 40-RCW1500 is used to mount RCW and RAX 1500W power supplies in the RA 40 Rack Adapter. The RAB 40-RCW1500 consists of two mounting brackets and associated hardware.

INSTRUCTIONS (Refer to Figures 1 and 2.)

Attach power supply to mounting brackets using "B" holes and hardware indicated in Table 1 (see Figure 1 for location) and hardware supplied with power supply. Remove the front and rear panels of the rack adapter (screws "C" Figure 2) Then attach mounting bracket to rack adapter rails (front and rear) using holes marked "A" in Figure 1. Reinstall front and rear panels on rack adapter. Figure 2 shows power supply after installation.

TABLE 1. PARTS LIST

PARTS SUPPLIED		ITEM	KEPCO P/N	Use Holes (see Figure 1)
PART	FUNCTION			
Mounting bracket	Mount RCW or RAX 1500 watt power supply to RA 40 rack adapter	(2) Bracket	128-2074	
Hardware (power supply to mounting bracket)	Hardware to attach RCW* 1500 power supply to mounting brackets.	(8) Machine Screws (M4 x 8)	501-0081	B
		(8) Int. Lock Washers (#8)	103-0017	B
		(8) Flat Washer #8	103-0062	B
Hardware (mounting bracket to rack adapter)	Hardware to attach RAB 40-RCW1500 mounting brackets to RA 40 rack adapter	(8) Machine Screws (6-32 x 1/2, RHPH)	101-0154	A
		(8) Flat Washers (#6)	103-0028	A
		(8) Int. Lock Washers (#6)	103-0015	A

* Two brackets required to install RCW and RAX 1500 watt power supplies.

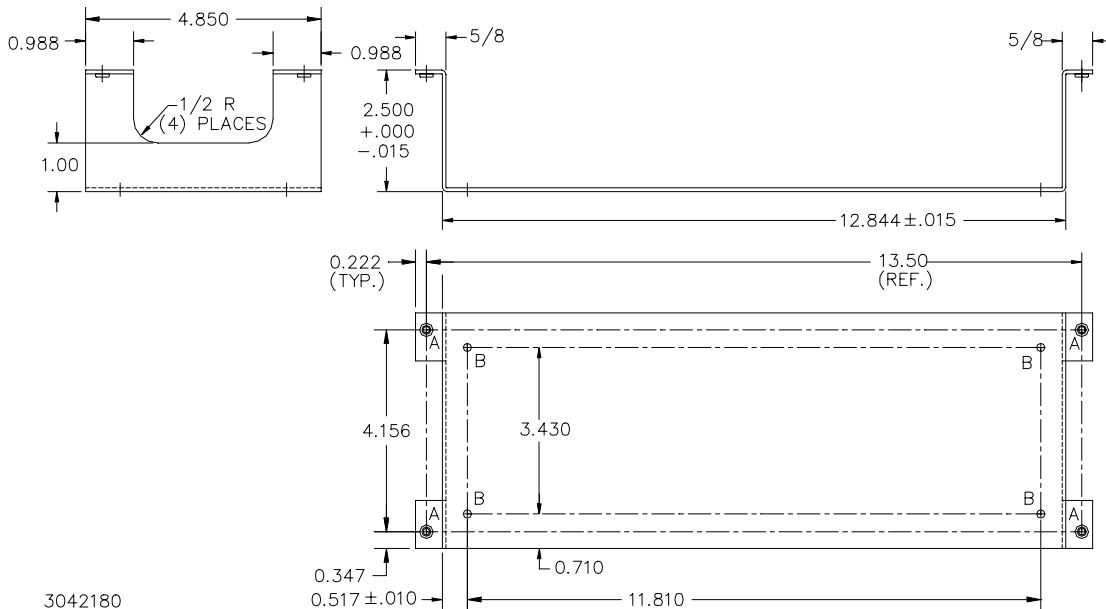


FIGURE 1. KEPCO MOUNTING BRACKET MODEL RAB 40-RCW1500

KEPCO, INC. ● 131-38 SANFORD AVENUE ● FLUSHING, NY. 11352 U.S.A. ● TEL (718) 461-7000 ● FAX (718) 767-1102

©2001, KEPCO, INC

<http://www.kepcopower.com> ● email: hq@kepcopower.com

Data subject to change without notice

228-1409 REV 1

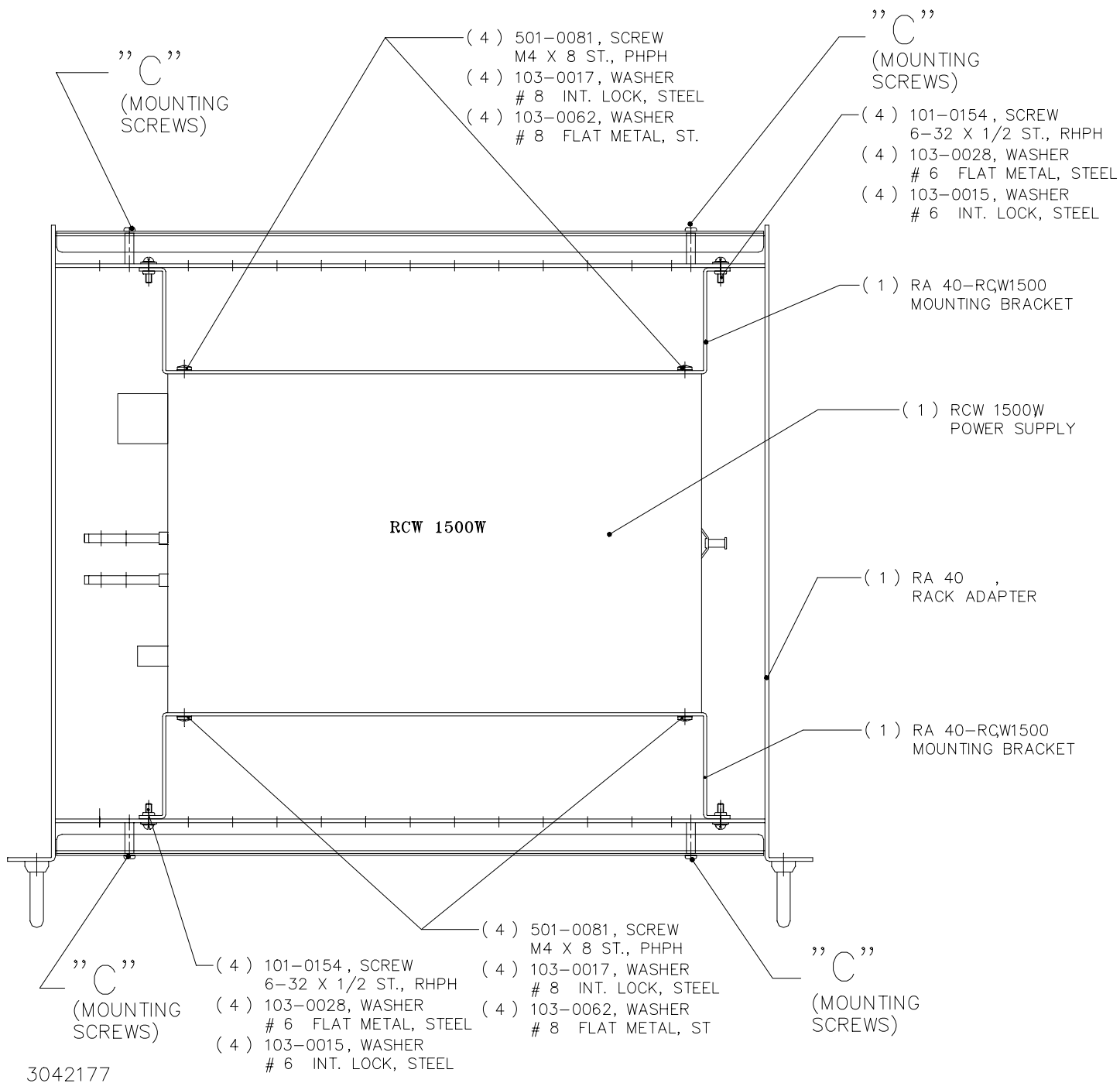


FIGURE 2. INSTALLATION OF RCW 1500W POWER SUPPLY IN RA 40 RACK ADAPTER