

INSTRUCTION MANUAL



KEPCO An ISO 9001 Company.

**KIT
DIN RTW
-50L, -50S**

DIN-RAIL MOUNTING KIT FOR 50W SERIES RTW (WITH C SUFFIX)

DESCRIPTION. Kepco KITS, Models DIN RTW-50L, and -50S each contain a mounting plate and associated hardware used to install RTW 50W Series power supplies on a DIN rail. This kit applies only to RTW models with the C Suffix (e.g., RTW 5-10KC) indicating covers are installed. DIN Kits with the "S" suffix are for mounting the power supply along the short dimension (width) as shown in Figure 1, "L" suffix kits are for mounting along the long dimension (length) as shown in Figure 2.

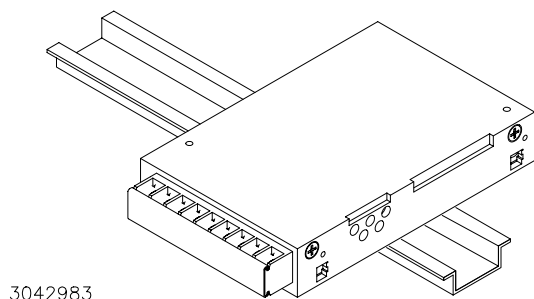


FIGURE 1. S SUFFIX ORIENTATION

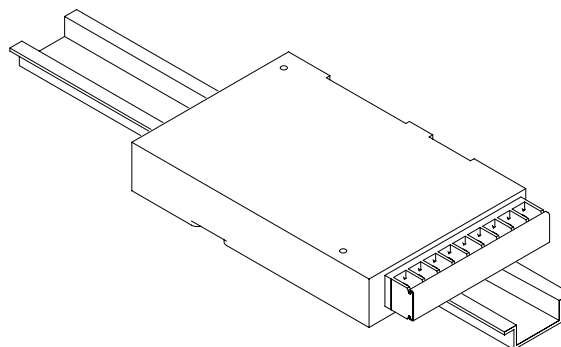


FIGURE 2. L SUFFIX ORIENTATION

TABLE 1. COMPONENTS SUPPLIED

KIT MODEL NO.	MOUNTING PLATE PART NO.	CLIP (QTY 2) PART NO.	SCREW (QTY 2) PART NO.	WASHER (QTY 2) PART NO.
DIN RTW-50L	189-0823	108-0365	501-0075 (M4 X 8, FHPH)	103-0017 (NO. 8, INT. TOOTH)
DIN RTW-50S	189-0822	108-0365	501-0075 (M4 X 8, FHPH)	103-0017 (NO. 8, INT. TOOTH)

INSTALLATION

1. **INSTALL MOUNTING PLATE.** Attach the mounting plate to the power supply using the hardware supplied (see Figure 3).

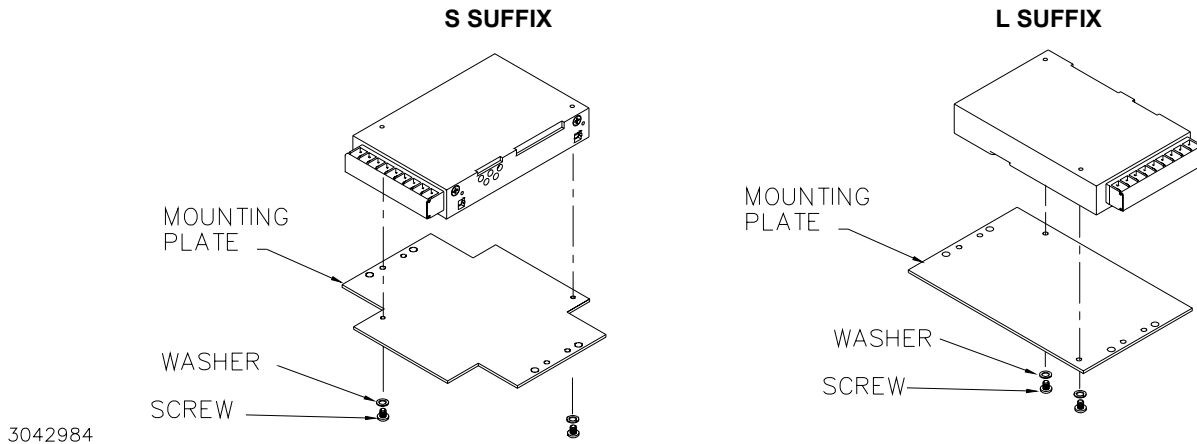


FIGURE 3. INSTALLING MOUNTING PLATE ON POWER SUPPLY

2. **INSTALL CLIPS.** Snap the two clips into the mounting plate holes (see Figure 4).

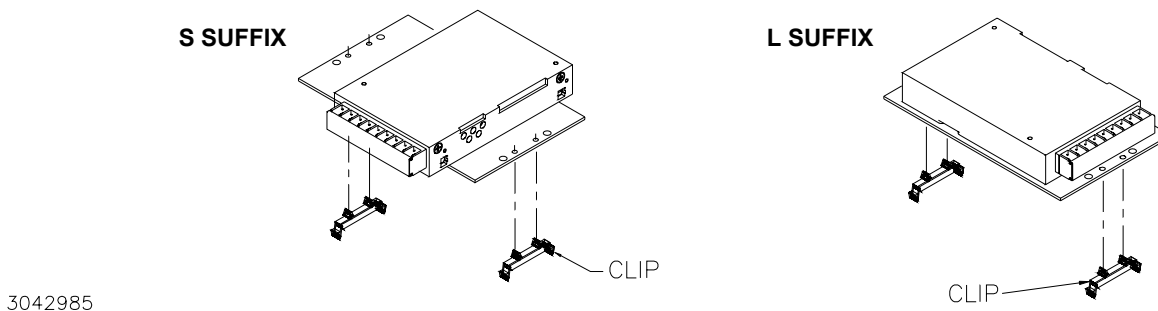


FIGURE 4. INSTALLING CLIPS ON MOUNTING PLATE

3. **INSTALL POWER SUPPLY ON DIN RAIL.** To mount the power supply on the rail insert one end of both clips under one edge of the rail, then snap the other end of the two clips into place (see Figure 5A).

REMOVING POWER SUPPLY FROM DIN RAIL. While grasping the power supply with one hand, insert a screwdriver into the access holes provided and apply leverage towards the left as shown in Figure 5B to disengage each clip from the rail. Where mounting clips are close together, it may be necessary to apply leverage with two screwdrivers simultaneously.

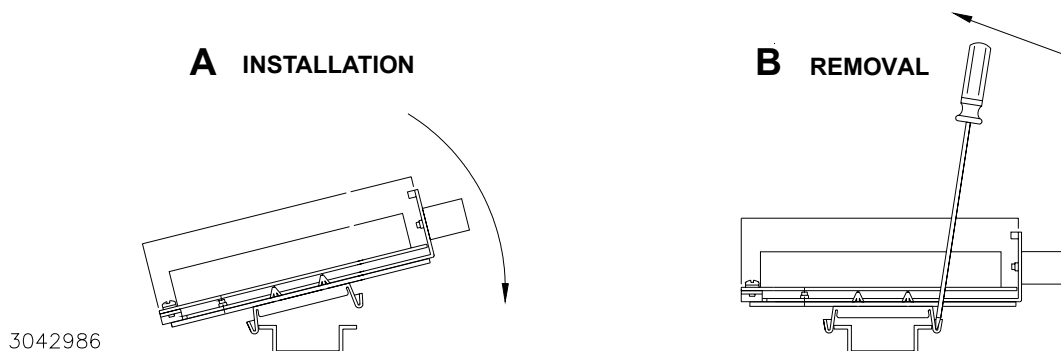


FIGURE 5. INSTALLATION AND REMOVAL OF POWER SUPPLY FROM DIN RAIL