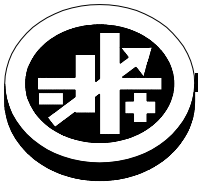


INSTRUCTION SHEET



KEPCO An ISO 9001 Company.

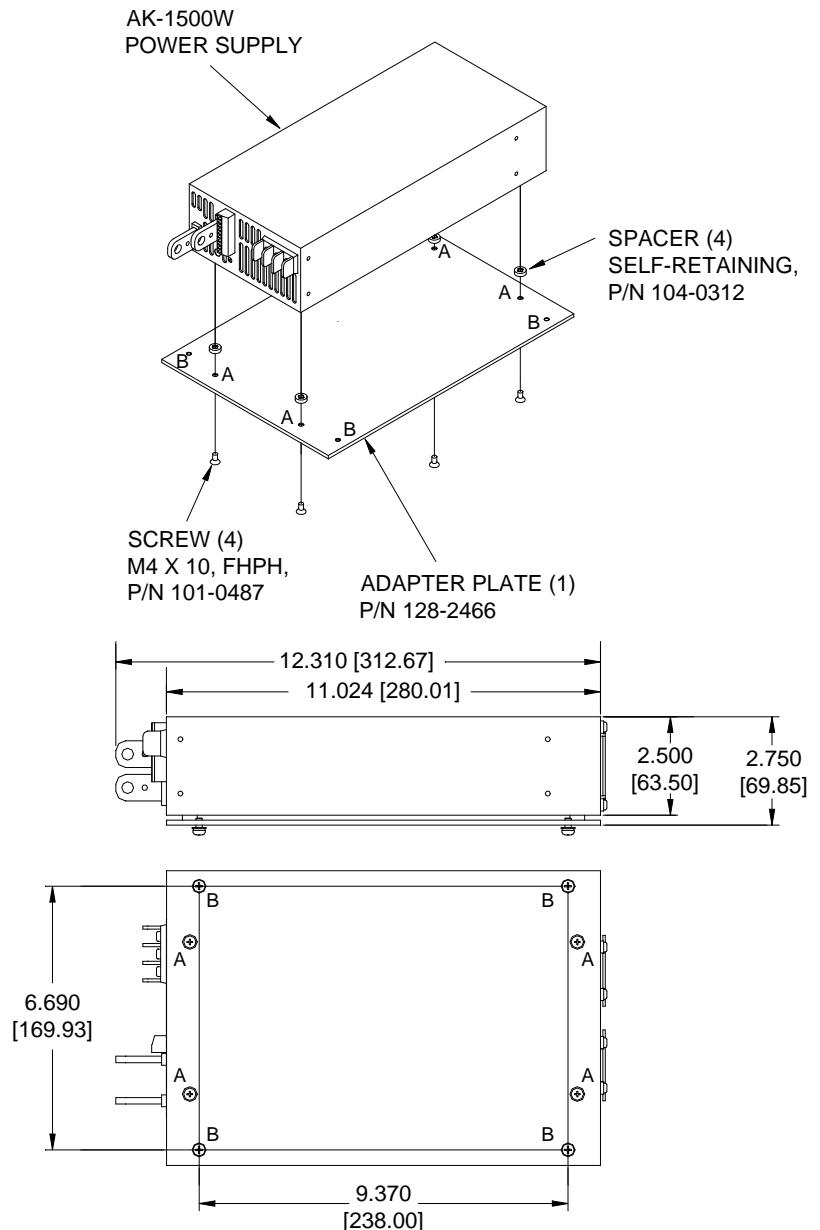
**MA
RKW/AK/AE
-1500H**

MOUNTING ADAPTER RKW/AK/AE-1500H

DESCRIPTION. The Model MA RKW/AK/AE-1500H Mounting Adapter includes an adapter plate and mounting screws that allow a horizontally-mounted 1500W AK or AE power supply to be easily substituted for a horizontally-mounted 1500W RKW power supply. Mount the adapter plate to the AK or AE power supply using the screws and spacers provided (see Figure 1), then install the adapter plate in place of the RKW power supply using the screws previously used to mount the RKW power supply.

NOTES:

1. MOUNT ADAPTER PLATE TO POWER SUPPLY AT HOLES "A" USING FOUR SPACERS P/N 104-0312, AND FOUR SCREWS P/N 101-0487.
2. REMOVE RKW POWER SUPPLY AND SAVE MOUNTING SCREWS, THEN INSTALL ADAPTER PLATE WITH AK POWER SUPPLY ATTACHED AT HOLES "B." USING MOUNTING SCREWS SAVED. (MOUNTING SCREWS ARE SEMS, M4 X 8, PHPH, LENGTH NOT TO EXCEED 8MM.)



3044111

FIGURE 1. ADAPTER PLATE INSTALLATION

KEPCO, INC. ● 131-38 SANFORD AVENUE ● FLUSHING, NY. 11355 U.S.A. ● TEL (718) 461-7000 ● FAX (718) 767-1102
www.kepcopower.com ● email: hq@kepcopower.com