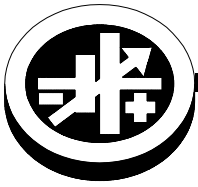


# INSTRUCTION SHEET



**KEPCO** An ISO 9001 Company.

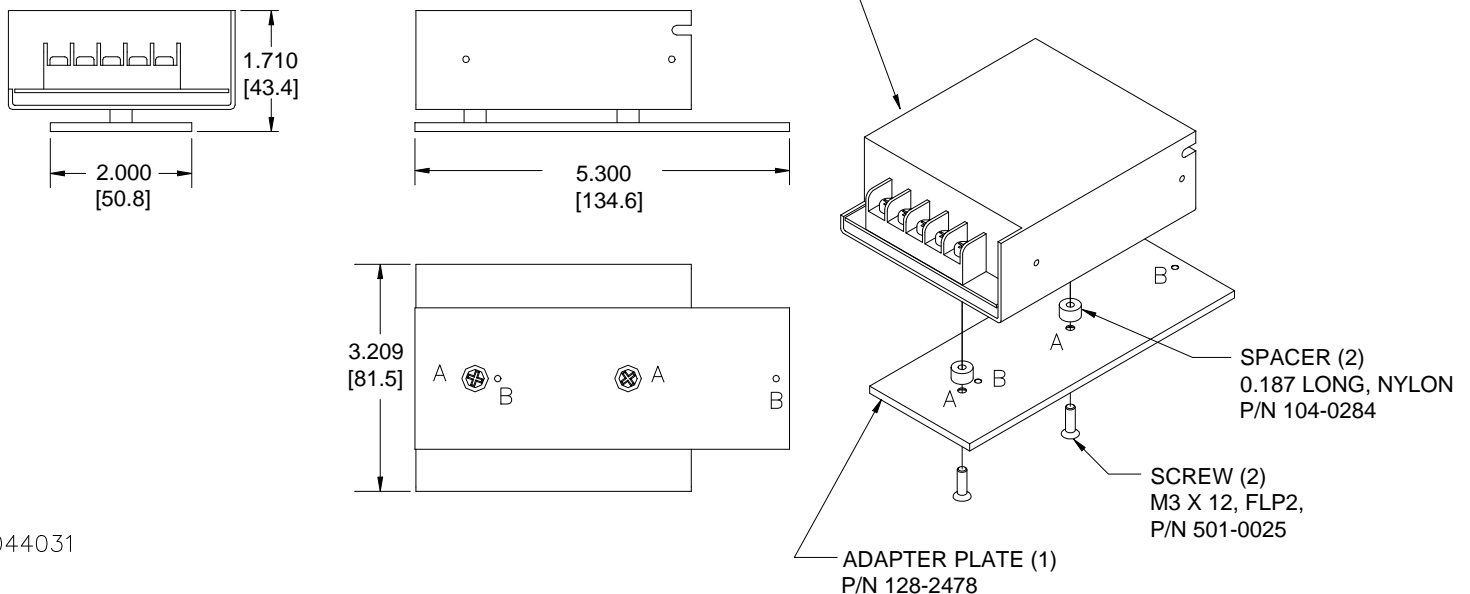
**MA  
RKW/GE  
-50H**

## MOUNTING ADAPTER RKW/GE-50H

**DESCRIPTION.** The Model MA RKW/GE-50H includes an adapter plate and mounting screws that allow a vertically-mounted 50W GE power supply to be easily substituted for a vertically-mounted 50W RKW power supply. Mount the adapter plate to the GE power supply using the screws provided (see Figure 1), then install the adapter plate in place of the RKW power supply using the screws previously used to mount the RKW power supply.

### NOTES:

1. MOUNT ADAPTER PLATE TO POWER SUPPLY AT HOLES "A" USING TWO SCREWS P/N 501-0025 AND TWO SPACERS P/N 104-0284.
2. REMOVE RKW POWER SUPPLY AND SAVE MOUNTING SCREWS, THEN INSTALL ADAPTER PLATE WITH GE POWER SUPPLY ATTACHED AT HOLES "B." USING MOUNTING SCREWS SAVED. (MOUNTING SCREWS ARE M3, LENGTH NOT TO EXCEED 6MM.)



**FIGURE 1. ADAPTER PLATE INSTALLATION**