

INSTRUCTION MANUAL



KEPCO An ISO 9001 Company.

**RA 81
Rack Adapter**

RA 81 Rack Adapter Kit

1. DESCRIPTION

The RA 81 Rack Adapter kits allows the mounting of half-rack KLN 750W units in a 19-inch wide standard rack.

- RA 81-1 is used to mount a single KLN 750W half-rack unit in the 19-inc rack.
- RA 81-2 is used to mount two half-rack KLN 750W units side by side in a 19-inch rack.

2. APPLICABILITY

These rack adapter kit models apply only to KLN 750W half rack models.

3. INSTALLATION INSTRUCTIONS, RA 81-1

3.1 MATERIAL REQUIRED (See Table 1.)

TABLE 1. MATERIAL REQUIRED, RA 81-1

| MATERIAL | Location | QUANTITY |
|---|-----------------------|----------|
| L bracket with knob | Supplied with unit | 2 |
| Screws to mount L bracket | Supplied with unit | 4 |
| U bracket | Supplied with RA 81-1 | 1 |
| Screws to mount U bracket, M4, Flat head, CSK | Supplied with RA 81-1 | 4 |

3.2 INSTALLATION PROCEDURE

Refer to Figure 1 and proceed as follows:

1. On one side of the unit, mount one L-type bracket with knob (supplied with unit) to the unit using two screws supplied with unit (see Figure 1).
2. Mount the U-type bracket supplied in the Kit to the other side of the unit using two screws supplied in Kit.
3. Mount the other L-type bracket with knob (supplied with unit) to the end of the U-type bracket using two screws supplied with unit. The knobs attached to the L-brackets can now be used to support the assembled unit while installing in a 19-inch rack.

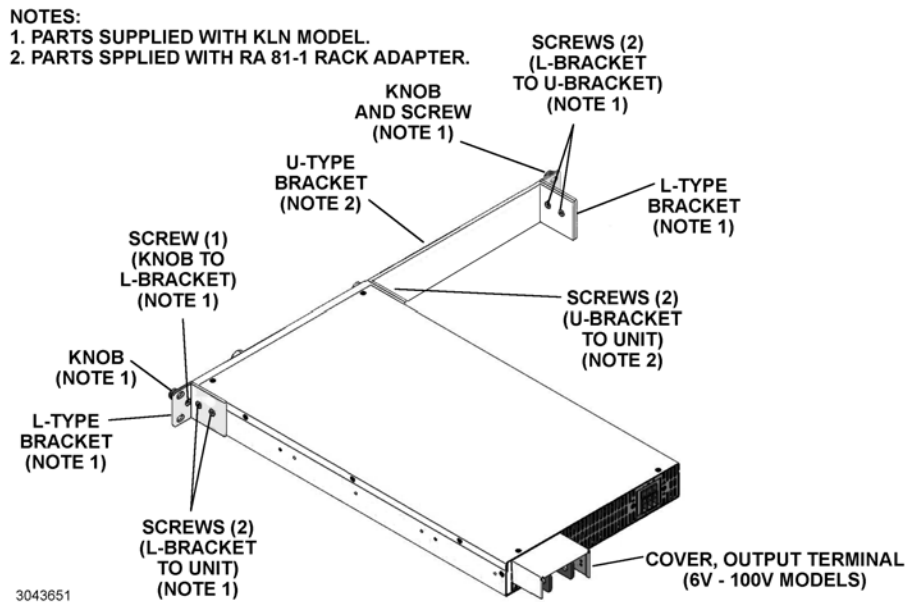


FIGURE 1. RA 81-1, INSTALLATION

4. INSTALLATION INSTRUCTIONS, RA 81-2

4.1 MATERIAL REQUIRED (See Table 1.)

TABLE 2. MATERIAL REQUIRED, RA 81-1

| MATERIAL | Location | QUANTITY |
|---|-----------------------|----------|
| L bracket with knob | Supplied with unit | 2 |
| Screws to mount L bracket | Supplied with unit | 4 |
| Linking Bracket | Supplied with RA 81-2 | 1 |
| Screws to attach lining bracket to KLN units | Supplied with RA 81-2 | 2 |
| Shoulder Screws to secure KLN units to each other | Supplied with RA 81-2 | 2 |
| Lock washer to secure KLN units to each other | Supplied with RA 81-2 | 2 |
| Washer to secure KLN units to each other | Supplied with RA 81-2 | 2 |

4.2 INSTALLATION PROCEDURE

Refer to Figure 2 and proceed as follows:

- Place the two units side by side as they would be installed in the rack. On the outer side of each unit (not facing the other unit), mount one L-type bracket with knob (supplied with unit) to each unit using two screws supplied with unit (see Figure 2).
- Separate the two units. Install two shoulder screws, flat washers and lockwashers (supplied with Kit) at two locations on one unit (two threaded holes, A, Figure 3).
- Move the two units together and insert the shoulder screws into the corresponding keyhole-shaped openings in the other unit (see A, Figure 3). Then slide the unit with the shoulder screws forward until the front panels of both units are flush.
- Connect the two units at the rear using linking bracket (see Figure 4) and two screws supplied with Kit. The two units can now be handled as an assembly and can be installed directly into a 19-inch rack.

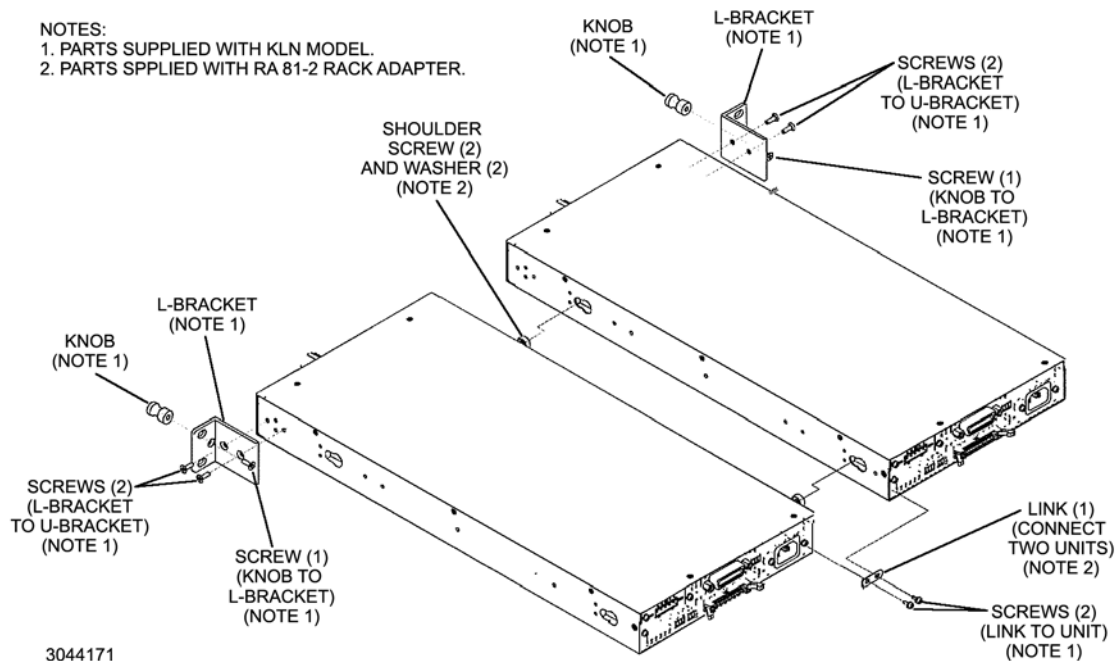
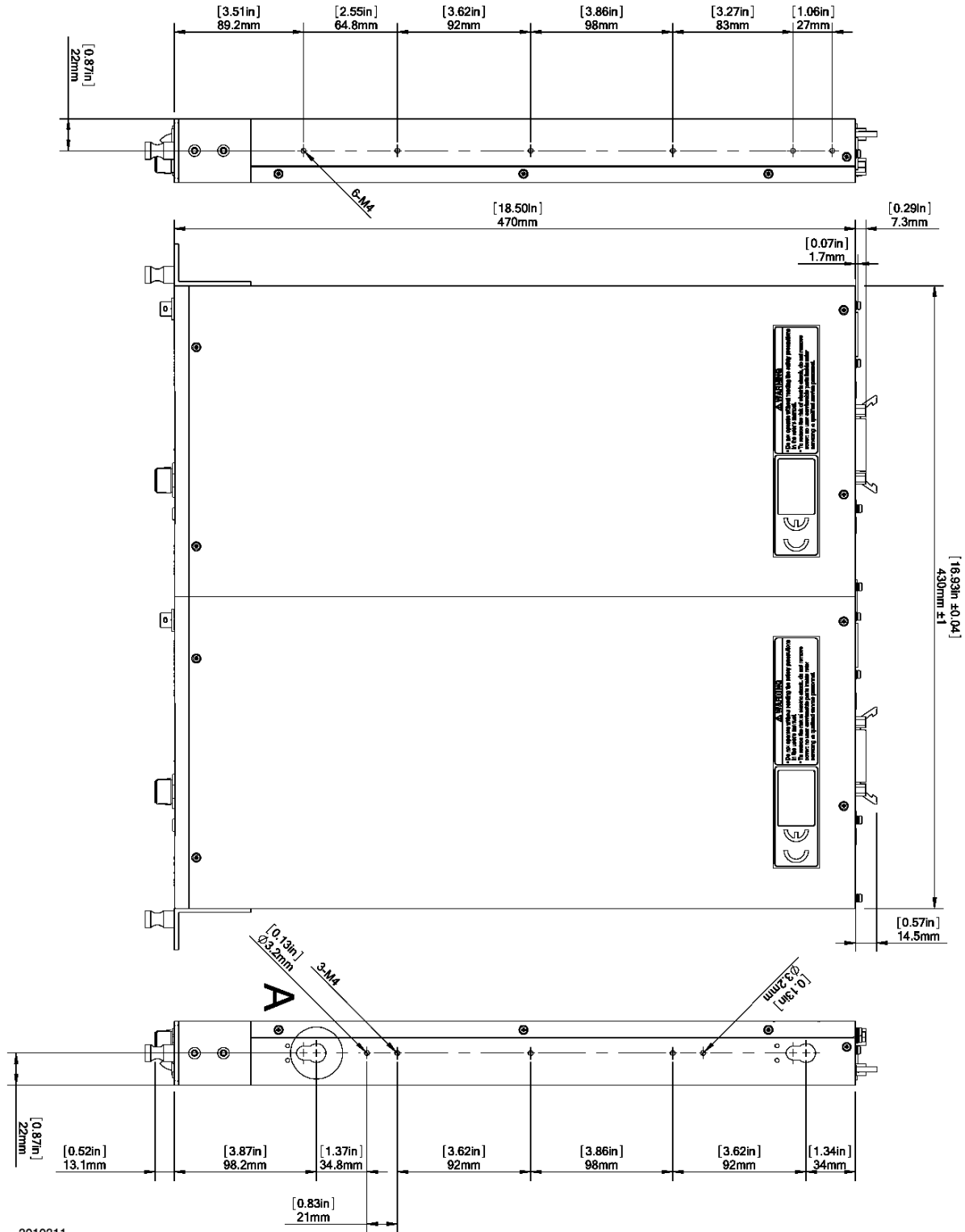


FIGURE 2. RA 81-2, INSTALLATION



3010311

FIGURE 3. RA 81-2 OUTLINE DIMENSIONS

KEPCO, INC. ● 131-38 SANFORD AVENUE ● FLUSHING, NY. 11355 U.S.A. ● TEL (718) 461-7000 ● FAX (718) 767-1102
 www.kepcopower.com ● email: hq@kepcopower.com

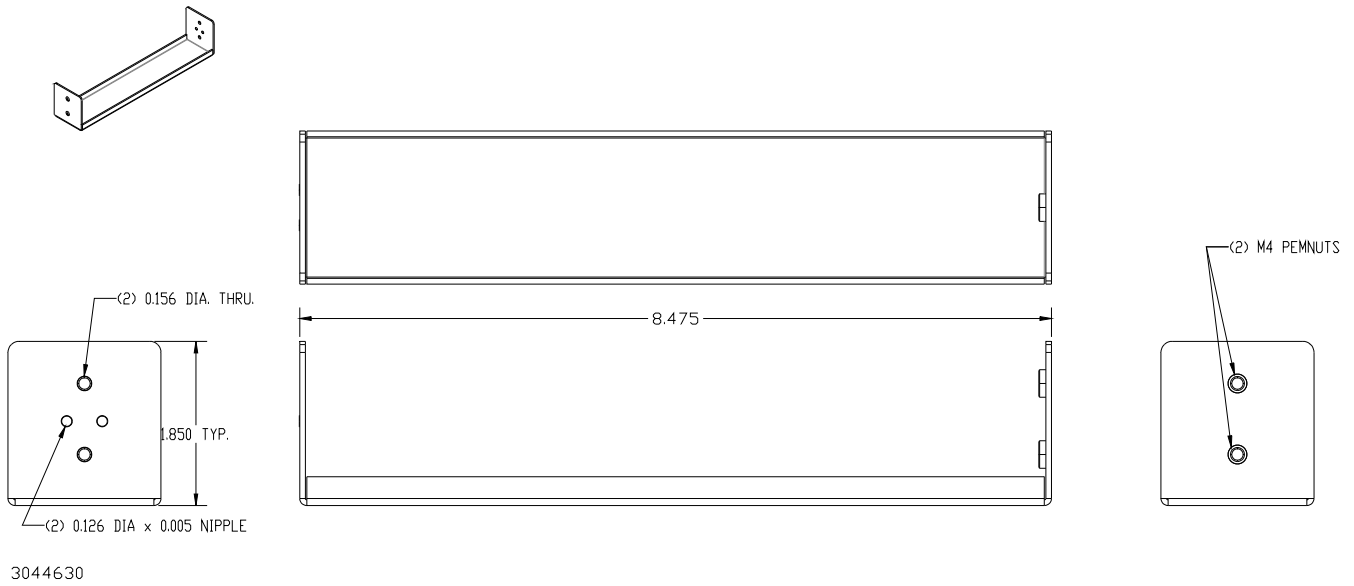


FIGURE 6. U BRACKET, OUTLINE DIMENSIONS