

OPERATOR'S MANUAL

FPD 10 WATT POWER SUPPLY

Flat Pack Dual Output DC to DC Converter
10 Watts, Dual Output
36 to 72 Vdc Nominal Input

KEPCO INC.
An ISO 9001 Company.

MODEL FPD 10 WATT POWER SUPPLY

IMPORTANT NOTES:

- 1) This manual is valid for the following Model and associated serial numbers:

MODEL	SERIAL NO.	REV. NO.
-------	------------	----------

- 2) A Change Page may be included at the end of the manual. All applicable changes and revision number changes are documented with reference to the equipment serial numbers. Before using this Operator's Manual, check your equipment serial number to identify your model. If in doubt, contact your nearest Kepco Representative, or the Kepco Documentation Office in New York, (718) 461-7000, requesting the correct revision for your particular model and serial number.
- 3) The contents of this manual are protected by copyright. Reproduction of any part can be made only with the specific written permission of Kepco, Inc.

Data subject to change without notice.

©2007, KEPKO, INC.
P/N 243-0805



FLAT PACK Dual Output DC to DC Converters

I INTRODUCTION:

SCOPE OF MANUAL: This instruction brief contains information for the installation and operation of the Kepco FPD 10 Watt DC to DC Converter Series of switching power supplies. For further operating and service information for the FPD 10 Watt DC to DC Converter Series contact your Kepco Representative directly, or write to Kepco, Inc., 131-38 Sanford Avenue, Flushing, New York 11352 U.S.A.

DESCRIPTION: The Kepco FPD 10 Watt DC to DC Converter Series consists of two switching power supplies, having a nominal 36-72 Vdc input and different dual DC output voltages, rated as listed in Section II. FPD 10 Watt Converter switching power supplies have similar electrical specifications, except for the output ratings. They are low-dissipative stabilizers, using pulse-width modulation to control the output. The units feature input/output isolation. All models are guaranteed for one year when operated within the specifications given herein.

ABSOLUTE MAXIMUM RATINGS: The DC to DC Converters described in this manual are rated for continuous operation when used in an ambient temperature range of 0° to 71°C. Within this range the units will operate in accordance with the specifications listed below, provided they are not subject to stress. The units will function with degraded reliability and life if operated at the extreme ends of the temperature range, at -40° to 0°C, or 71°C to 85°C. Specifications do not apply throughout the entire operating range (-40° to 85°C)

Stresses in excess of the Maximum Ratings can cause permanent damage to the unit. These are absolute stress ratings only. Functional operation of the unit is not implied at these or any other conditions in excess of those in the following Tables.

II MODELS:

The following specifications apply to the power supply models listed below:

MODEL	INPUT	OUTPUT
FPD 2X12-60W	36-72 Vdc	± 12 Vdc ± 0.4A
FPD 2X15-60W		±15 Vdc ± 0.32A

III INPUT SPECIFICATIONS:

Nominal Input Voltage:	48-60 Vdc
Input Voltage Range:	36-72 Vdc
Input Current: maximum *	625 mA ($V_I=0$ to 72 Volts, $I_o = I_{o, max.}$)
Efficiency: $V_I=48$ Volts $I_o = I_{o, max.}$; $T_A=25^\circ\text{C}$ (See Figure 1)	83 percent typical
Circuit Type:	Forward Converter
Input Reflected Ripple Current (Peak-to-Peak, 5 Hz to 20 MHz, 12 μ H source impedance, $T_A 25^\circ\text{C}$, see Figure 2)	25 mA Peak-to-Peak, typical
Input Ripple Rejection (120 Hz)	50 dB, typical
Inrush Transient (I^2t)	0.3 A ² s typical, 1.0 A ² s maximum

*** CAUTION: FPD POWER MODULES ARE NOT INTERNALLY FUSED - INPUT LINE FUSES MUST ALWAYS BE USED.**

IV OUTPUT SPECIFICATIONS:

MODEL	FPD 2X12-60W	FPD 2X15-60W
Output Voltage Nominal	± 12V	± 15V
Output Current Nominal	± 0.4A	± 0.32A
Output Power Maximum	9.6W	9.6W
Ripple ¹	100mV RMS	100mV RMS
Noise, 5 Hz to 20 MHz	300mV p-p	300mV p-p
Overcurrent Setting	1.2–2.5A	1.1–2.4A
Overvoltage Setting	± 13.2–18.0V	± 16.5–21.0V

		typ	unit
Combined Effect	FPD 2X12-60W	10.8 - 13.2	V
	FPD 2X15-60W	13.5 - 16.5	V
Dynamic Response (applies to V ₀₁ or V ₀₂ at full load) $\Delta I_0/\Delta t = 1A/10\mu s$, V _I =48 Volts, T _A =25°C			
Load change from I ₀ =50% to 75% I _{0, max.} and from I ₀ =50% to 25% I _{0, max.}			
Peak Deviation	FPD 2X12-60W	200	mV
	FPD 2X15-60W	180	mV
Settling Time (V ₀ < 10% of peak deviation)	All Models	3	ms

		MIN.	MAX.	UNIT
Output Voltage (over all operating input voltage, resistive load and temperature conditions)	FPD 2X12-60W	± 10.8	± 13.2	Vdc
	FPD 2X15-60W	± 13.5	± 16.5	Vdc
Output Voltage Set Point (V _I =48 Volts, I ₀ =I _{0, max} T _A =25°C) from minimum to maximum for all models ± 5%	FPD 2X12-60W	± 11.4	± 12.6	Vdc
	FPD 2X15-60W	± 14.25	± 15.75	Vdc
Output Short Circuit Current (V ₀ =250 mV)	All Models		1.0	A
Output Current Limit Inception (V ₀₁ or V ₀₂ =10.2V) (V ₀₁ or V ₀₂ =12.75V)	FPD 2X12-60W	1.4	2.5	A
	FPD 2X15-60W	1.3	2.4	A
Output Current Limit (V ₀₁ or V ₀₂ =1.0V)	All Models		3.0	A

NOTE ¹: At less than minimum load the converter may exceed its output ripple specification. Minimum load corresponds to 10% of the nominal output current.

V GENERAL SPECIFICATIONS

SPECIFICATIONS		CONDITIONS
Temperature	Operating – 40 ~ 85 Degrees C Storage – 40 ~ 100 Degrees C	60 ft/min (18.29 m/min) natural convection
Isolation Resistance	10M ohms Minimum	
Isolation Capacitance	1200 pF typical	
I/O Isolation Voltage	500Vdc maximum	
Dimensions	2.0 (50.8) x 1.60 (40.6) x 0.50 (12.7)	See Mechanical Outline Drawing, Figure 3
Weight	1.6 oz. (45.4 grams) Maximum	
Cover Material	non-conductive material	
Calculated MTBF (80% full load, and case temperature = 40°C)	2,500,000 hours	

VI FEATURE SPECIFICATIONS

		TYP.	MAX.	UNIT
Undervoltage Lockout	Module ON	28	36	V
	Module OFF	24		V
Remote ON/OFF (0 Volts < V ₁ < 72 Volts open collector or equivalent, signal referenced to –V ₁ terminal) Logic Low - Module ON Logic High - Module OFF				
Module Specifications:				
ON/OFF Current	Logic Low		1.0	mA
ON/OFF Voltage	Logic Low		1.2	V
	Logic High (I _{ON/OFF} = 0)		18	V
Open Collector Switch Specifications				
Leakage Current During Logic High (V _{ON/OFF} = 18 V)			50	µA
Output Low Voltage During Logic Low (I _{ON/OFF} = 1mA)			1.2	V
Turn On Time (I _o =80% I _{o max} ; V _o within ± 1% of V _{o, set})		5		ms
Output Overvoltage Clamp	FPD 2X12-60W	± 16.0	± 18.0	V
	FPD 2X15-60W	± 19.0	± 21.0	V

VII OUTPUT OVERVOLTAGE CLAMP

The control circuitry for the overvoltage clamp is independent of the FPD DC to DC Converter primary regulation loop. The FPD output voltage is governed by the primary regulation loop. A redundant output voltage control is provided by the overvoltage clamp circuitry, thereby reducing the possibility of output overvoltage. This redundancy is realized by having the set point of the overvoltage clamp designed to be higher than the set point for the primary loop.

VIII CURRENT LIMIT

The FPD DC to DC Converter is protected against output overload by internal current limiting. This mode of operation can be maintained for an unlimited time duration. At the very point of current limit inception the DC to DC Converter shifts from a voltage control to a current control mode. In a severe fault situation (where the output voltage is pulled very low) the current limit circuit can be either foldback or tailout in characteristic (output current decrease or increase). However, the FPD unit operates normally once the output current returns within its specified range.

IX REMOTE ON/OFF

The DC to DC converter can be remotely controlled via a switch (that the user must supply) across the ON/OFF terminal and the $-V_I$ terminal ($V_{ON/OFF}$). At logic low $V_{ON/OFF}=0$ to 1.2 Volts, the unit is ON and the maximum $I_{ON/OFF}$ (when the module is ON) is 1mA. The switch should be able to sink 1 mA when it is at a logic low voltage. At logic high the maximum $V_{ON/OFF}$ of the FPD unit is 18 Volts. The maximum allowable leakage current of the switch (at logic high) is then $50\mu\text{A}$.

A jumper across the ON/OFF terminal and the $-V_I$ terminal can be used to override the Remote ON/OFF (see Figure 4). Either a user-supplied switch or the override jumper should be wired into the circuit via individual PWB current paths not common to the $-V_I$ current path. Connect the switch or jumper wire at the FPD terminals, across the common connection point and the Remote ON/OFF point. This connection will prevent noise from falsely triggering the Remote ON/OFF.

X INPUT FILTERING

An aluminum electrolytic capacitor is used at the input terminals for filtering the FPD unit. Consequently the ripple increases as the temperature decreases. For example at 0°C there is twice as much ripple than at 25°C , at -40°C there is eight times as much ripple than at 25°C . DC to DC Converter operation down to -40°C is possible without additional filtering. If required, an external filter capacitor across the input terminals (an impedance of 0.3 ohms at 100 MHz over the desired temperature range is recommended) should limit the ripple current to within the typical levels given in the input specifications.

XI OUTPUT VOLTAGE REVERSAL

CAUTION: Do not apply a reverse polarity voltage across the FPD output terminals. Such an application will forward bias an internal diode of the power module and damage the FPD unit.

XII ISOLATION

The FPD outputs are fully isolated from the inputs. FPD DC to DC Converters are encapsulated in non-conductive cases that mount on PC boards. The modules are rated to full load at 85°C in a natural convection environment (without a heat sink or external filter). They also comply with FCC Class A EMI requirements.

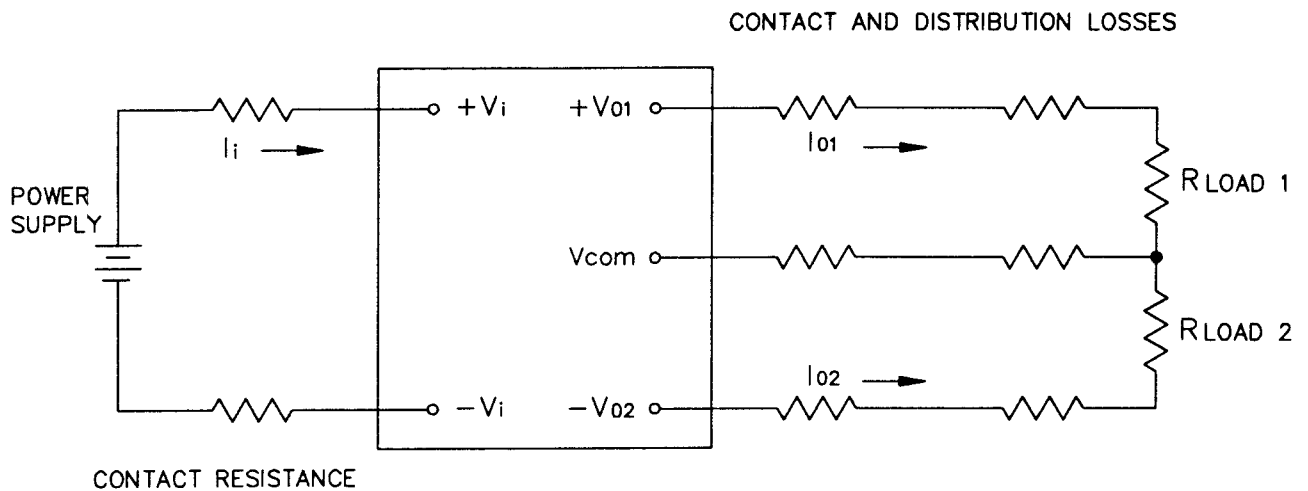


FIGURE 1 TEST SET UP FOR OUTPUT VOLTAGE AND EFFICIENCY MEASUREMENTS FOR THE DUAL OUTPUT FPD DC TO DC CONVERTER. WHEN PLACING THE POWER MODULE INTO A PRINTED CIRCUIT BOARD SOCKET, USE KELVIN CONNECTIONS AT THE POWER MODULE INPUT AND OUTPUT TERMINALS TO AVOID MEASUREMENT ERRORS DUE TO SOCKET CONTACT RESISTANCE.

NOTE: THE EQUATION FOR POWER MODULE EFFICIENCY IS

$$\eta = \frac{\sum I_o^2 | [V_{o1} + (-V_{com})] | I_{o1}}{|V_i - (-V_i)| I_i}$$

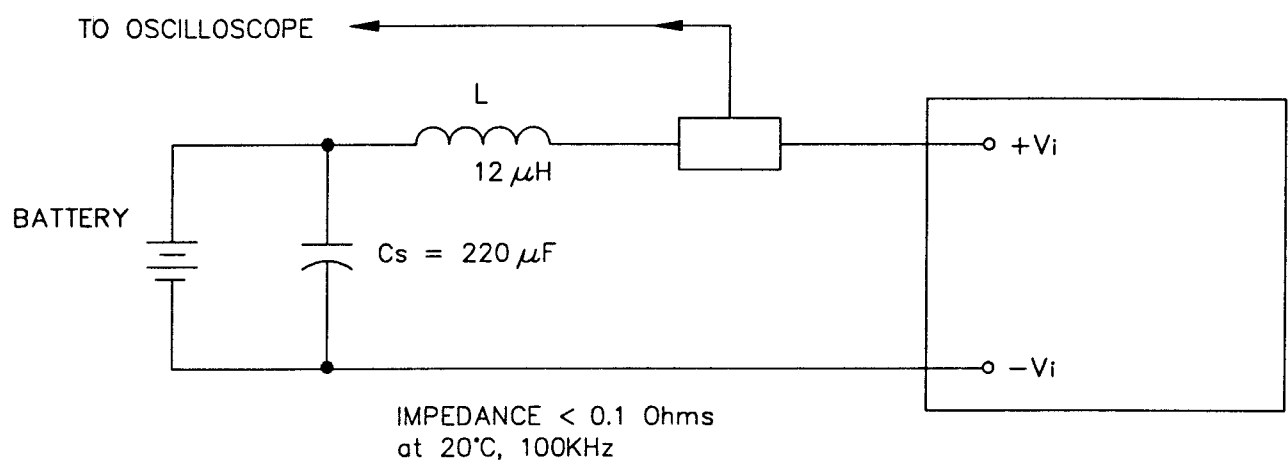


FIGURE 2 TEST SET UP FOR INPUT REFLECTED RIPPLE FOR THE DUAL OUTPUT FPD DC TO DC CONVERTER. THE INPUT REFLECTED RIPPLE IS MEASURED WITH A SIMULATED SOURCE IMPEDANCE OF $12\mu\text{H}$. THE CAPACITOR C_s , OFFSETS POSSIBLE BATTERY IMPEDANCE. CURRENT IS MEASURED AT THE INPUT OF THE POWER MODULE.

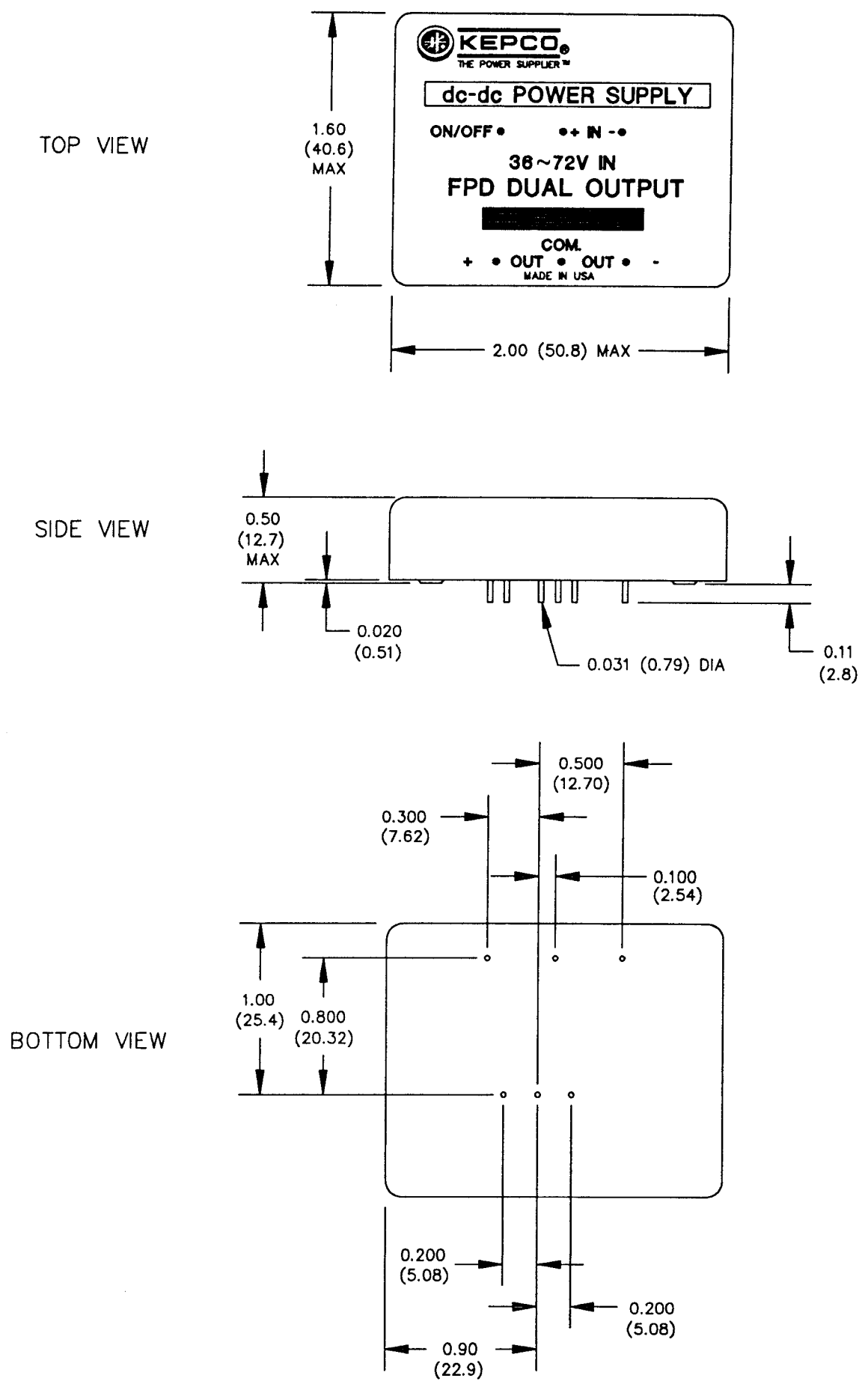


FIGURE 3 MECHANICAL OUTLINE DRAWING OF THE DUAL OUTPUT FPD DC TO DC CONVERTER

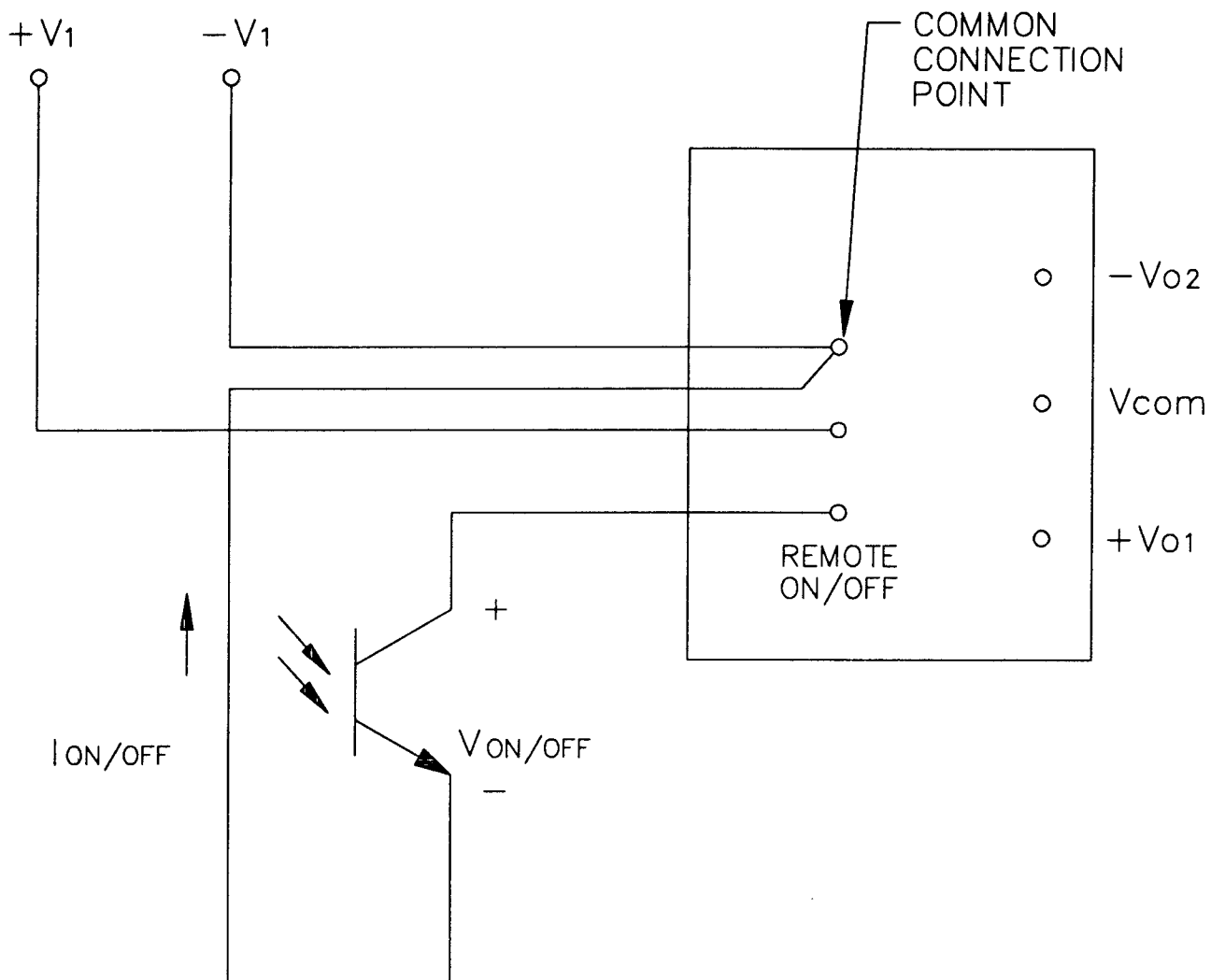


FIGURE 4 REMOTE ON/OFF WIRING CONFIGURATION FOR THE DUAL OUTPUT FPD DC TO DC CONVERTER

You must register your product to comply with the terms of the warranty. Either fill out the form below and mail or fax to Kepco, or for rapid on-line registration go to:

<http://www.kepcopower.com/warranty.htm>

PRODUCT PURCHASED:

Model Number) _____
Serial Number _____

PURCHASE INFORMATION:

Date Purchased: _____
Date Received: _____

REQUEST ADDITIONAL INFORMATION

- Send complete Catalog
- Have Sales Engineer Call
- Contact via: E-Mail Telephone Fax S-mail

REGISTER TO:

Registered by: _____
Company Name: _____
Street: _____
City: _____
State: _____
Country: _____
Zip: _____
E-mail: _____
FAX: _____
Phone: _____

WHAT INFLUENCED YOUR CHOICE OF THIS POWER SUPPLY?

- Previous Experience (which Kepco Models do you have?)

- Magazines (which ones?) _____

- Trade Shows (which ones?) _____
- Directory? _____

- Kepco Catalog or Brochure? _____
- Sales Representative?
- Web Site
- Other (please explain): _____

What products would you like to see Kepco make?

CUT HERE

Kepco 1 Year Warranty

This is to certify that we, KEPCO, INC., (hereinafter called "Company"), Flushing, NY 11355 USA, warrants for a period of ONE YEAR, this instrument known as:

MODEL: _____

SERIAL NO. _____

The Company's products are warranted for a period of one year from date of delivery to be free from defects in materials and workmanship and to conform to the specifications furnished or approved by the Company. Liability under this warranty shall be limited to the repair or replacement of any defective product at Company's option.

If any defect within this warranty appears within the warranty period, the Purchaser shall promptly notify the Company in writing. No material will be accepted for repair or replacement without written authorization of the Company.

Upon such authorization, and in accordance with instructions of the Company, parts or materials for which replacement is requested shall be returned to the Company for examination, with shipping charges prepaid by the Purchaser. Final determination as to whether a product is actually defective rests with the Company.

This warranty does not extend to any product which has been subjected to misuse, neglect, accident, improper installation, or use in violation of instructions furnished by the Company. The warranty does not extend to, or apply to, any unit which has been repaired or altered outside of the Company's factory by persons not expressly approved by the Company.

THE WARRANTY HEREIN CONTAINED IS IN LIEU OF AND EXCLUDES ALL OTHER WARRANTIES, EXPRESS, IMPLIED OR STATUTORY, INCLUDING WITHOUT LIMITATION THE WARRANTY OF MERCHANTABILITY.

THIS KEPCO PRODUCT IS WARRANTED FOR ONE YEAR!

KEPCO, INC. • 131-38 SANFORD AVENUE, FLUSHING,
NY 11355 USA • Tel. 718-461-7000 • Fax. 718-767-1102
E-mail: hq@kepcopower.com • URL: <http://www.kepcopower.com>



FOLD HERE

Please
place
stamp
here

KEPCO, INC.

131-38 SANFORD AVE.
FLUSHING, NY 11355 USA

CUT HERE