

INSTRUCTION MANUAL



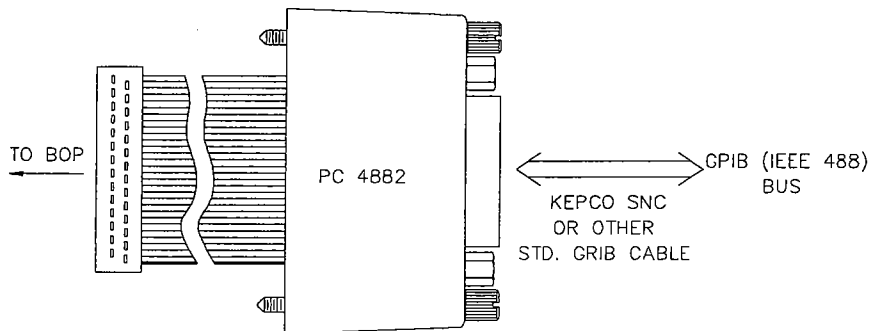
KEPCO

PC

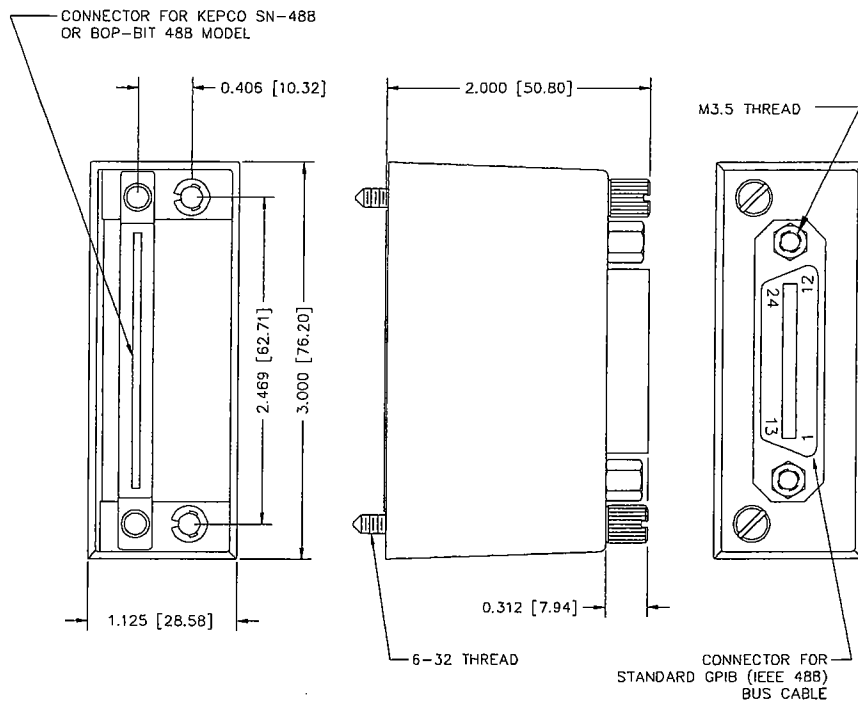
MODEL PC 4882 CONNECTOR

GENERAL

The Kepco Model PC 4882 Connector is used with BOP Models with built-in BIT-4882 cards and provides the interface between these models and any one of Kepco's SNC standard GPIB (IEEE 488) bus cables, or any other standard GPIB bus cable.



MODEL PC 4882 CONNECTOR AS THE INTERFACE BETWEEN BOP POWER SUPPLY WITH BIT 4882 CARD INSTALLED AND THE GPIB (IEEE 488) BUS



NOTE: DIMENSIONS ARE IN INCHES [MILLIMETERS] AND GIVEN FOR REFERENCE ONLY.

MECHANICAL OUTLINE, MODEL PC 4882

